

## LEDSOLAR-ST20ECO • LEDSOLAR-ST20XPL

### SOLAR LED STREET LIGHT KIT – 20W

These 20W LED street light kits deliver exceptional performance while substantially reducing operational costs. The cutting edge Luxtella LED luminaire is one of the most efficient on the NZTA M30 list where it's 2,500 lumen output is generated from just 19.5W, and replaces the traditional 70W SON street light. The design also incorporates excellent optical design and light distribution, and you can choose from two visually appealing luminaire designs. These kitsets are complete with all components required to commission the streetlight. The battery is discreetly hidden away in a compartment near the top of the pole keeping it out of harms way.

#### KITSET COMPONENTS

- 20W LED Street Light
- 115W Solar Panel
- 1x Lithium-ion battery (950Wh)
- 20A controller
- 5m Galvanised Steel Pole (Flange mounted & includes anchor bolts)

#### APPLICATIONS

Perfect for locations where mains power is not currently available, pedestrian and cycle paths, parks and reserves, public areas such as shopping precincts, outdoor carparks etc.

#### TECHNICAL SPECIFICATIONS

Fixture/Part No.	LEDSOLAR-ST20ECO	LEDSOLAR-ST20XPL
Luminaire	TNL0729-20DC12	S12XPL-20DC-GRN0
Luminaire Power	20W	20W
Luminaire Input Voltage	12V DC	12-24V DC
Luminaire Weight	4kg	4kg
Luminaire Dimensions	500 x 278 x 122mm	488 x 275 x 82mm
Colour Temperature	5700K	4000K
Lumens	1980	2500



LEDSOLAR-ST20ECO

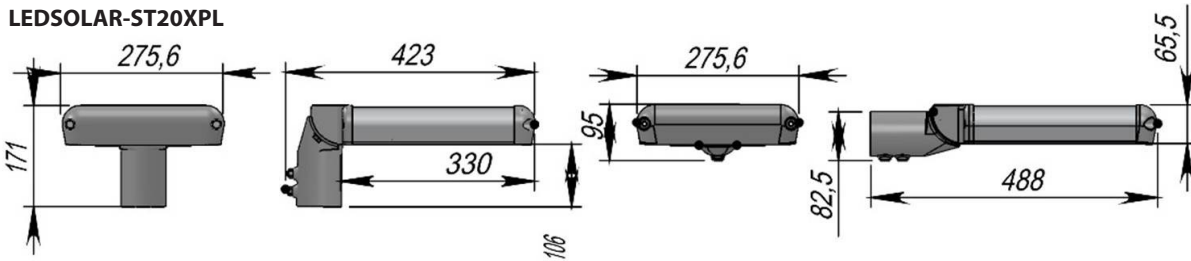


LEDSOLAR-ST20XPL

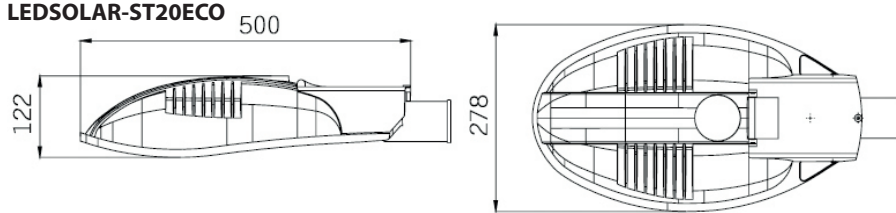


### LUMINAIRE DIMENSIONS

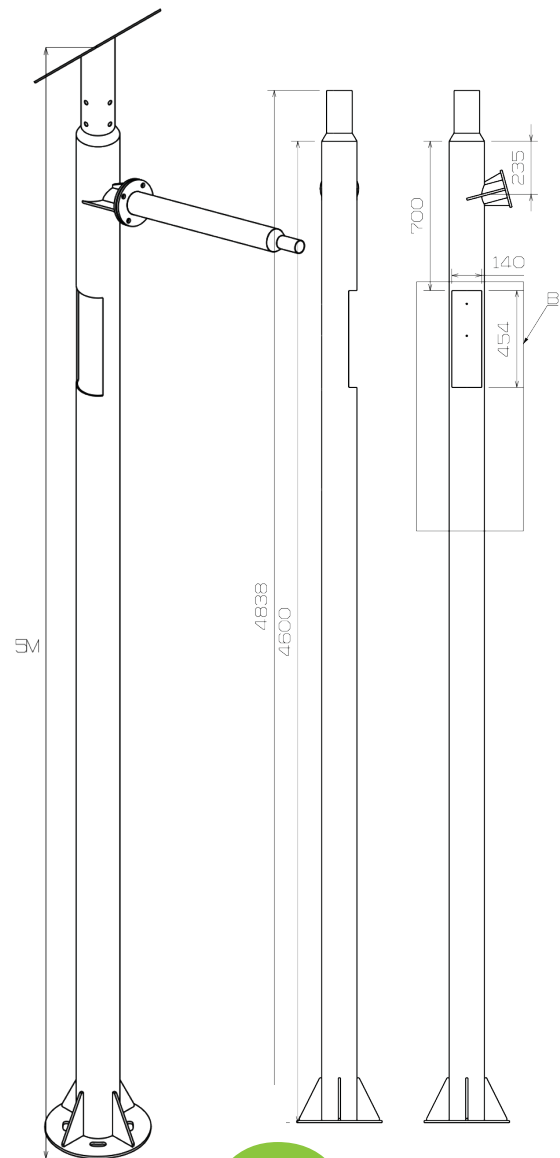
#### LEDSOLAR-ST20XPL



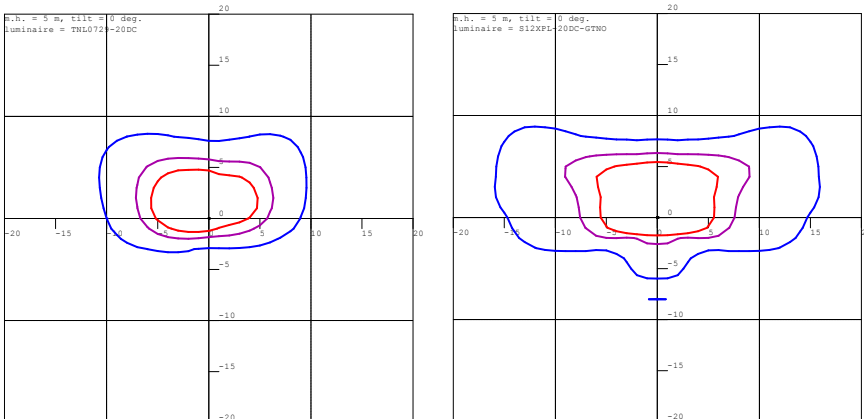
#### LEDSOLAR-ST20ECO



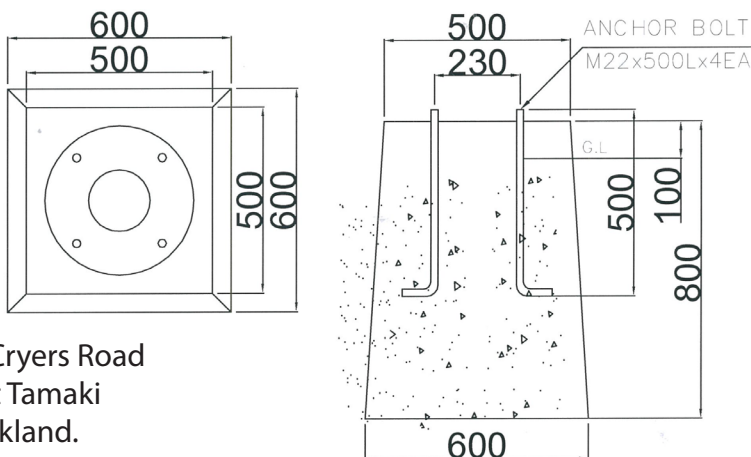
### POLE DIMENSIONS



### ISOLUX PLOT



### BASE DIMENSIONS



78 Cryers Road  
East Tamaki  
Auckland.  
NEW ZEALAND  
phone: 64 9 272 5619